



DL300



Seoul Office :
 Doosan Tower 26TH FL. 18-12, Euljiro-6Ga,
 Jung-Gu, Seoul, Korea 100-730
 Tel : +82-2-3389-8114
 Fax : +82-2-3389-8117

* Specifications are subject to change without prior notice.

Doosan Infracore Europe S.A.
 1A, Rue Achille Degrace, 7080 Frameries, Belgium
 Tel : +32-65-61-3231 Fax : +32-65-61-3238
Doosan Infracore U.K., Ltd.
 Doosan House, Unit 6.3, Nantgarw Park, Cardiff CF47QU, U.K.
 Tel : +44-1443-84-2273 Fax : +44-1443-84-1933
Doosan Infracore Germany GmbH
 Hans-Boeckler strasse 29, D-40764, Langenfeld-Fuhrkamp, Germany
 Tel : +49-2173-8509-20 Fax : +49-2173-8509-60
Doosan Infracore France
 1/3 Rue Pavlov Z.I. des Bruyères 78190 Trappes-France
 Tel : +33-1-30-16-21-41 Fax : +33-1-30-16-21-44
Doosan Infracore America Corporation
 2905 Shawnee Industrial Way, Suwanee, Georgia 30024, U. S. A
 Tel : +1-770-831-2200 Fax : +1-770-831-0480

Doosan Infracore (China) Co., Ltd.
 #28, Wuzhishan Road, Eco. & Tech. Development Zone, Yantai,
 Shandong, China
 Tel : +86-535-638-2000 Fax : +86-535-638-2004
Doosan Infracore Xinjiang Machinery Co.,Ltd.
 No. 178, Hetanbei Road, Wulumuqi, Xinjiang, China
 Tel : +86-991-469-7217 Fax : +86-991-469-8641
Doosan Infracore Liaoning Machinery Co.,Ltd.
 No.32 DongLing Road, DongLing District, ShenYang, Liaoning, China
 Tel : +86-24-8841-1407 Fax : +86-24-8841-1404
Doosan Infracore South Africa (PTY)LTD.
 60C Electron Road, Isando 1600, Johannesburg, South Africa
 Tel : 27-11-974-2095 Fax : 27-11-974-2778

Distributed By:
Nationwide Equipment Company
 11950 New Kings Road
 Jacksonville, Florida USA 32219
 Ph: (904) 924-2500 Email: sales@nwe-usa.com
 www.NationwideEquipment.com

PBP D300W000 0512

Photo may include optional equipment

Doosan Daewoo Wheel Loader Now, all things are possible

Doosan Daewoo Wheel Loader...Reaching Perfection



Performance

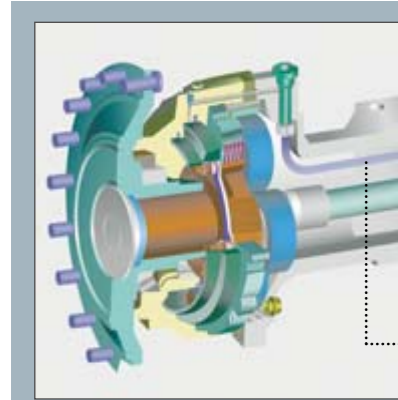
The DL 300 is a machine that delivers a powerful, highly effective force, offering superior penetration of the hardest materials. The exceptional drawbar pull at the wheels, is reinforced further by providing limited-slip differentials as standard equipment. The engine offers high power and torque characteristics. As a result, the hydraulic system is able to multi-function with power and speed.

DL 300

Axle
Improved internal oil flow greatly reduced the temperature difference between the hub and the differential, as well as prevents premature disc wear due to overheating of the internal hub components.

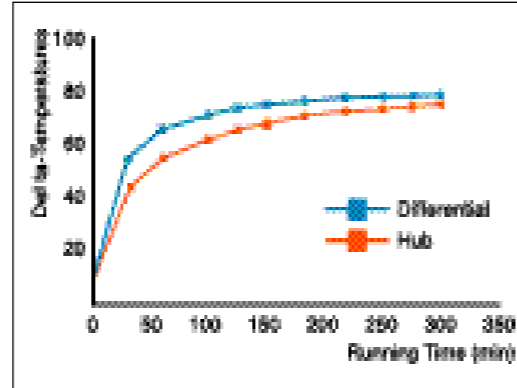


LSD (Limited Slip Differential)
The standard equipment LSD allows easy driving through soft and swampy grounds.



Increased Axle durability
The brake discs have been repositioned to the rear part of the reduction gear where the rotation speed is lower. As a result, the discs are exposed to lower rpm's and heat generation is reduced and the life span of the discs is greatly extended. Automatic disc clearance regulator has been integrated into the design and the disc clearance is maintained at the optimum level at all times as the discs wear out. This prevents any lag in brake response. Another convenient feature is that brake disc wear can easily be measured without disassembling the hub.

The brake piping has been redesigned into the axle housing and is protected from damage from external shock as the machine drives over rough terrain.



• This result may change according to test condition.



DOOSAN "DL08" Engine
The DL08 low emission engine combines Common-Rail fuel injection system with full authority electronics for superior low-end performance with a strong torque rise.



Full Auto Transmission
The electronic powershift transmission is particularly smooth and gear ratios perfectly spaced to give optimal speed. That gives comfort at the same time that it delivers excellent traction in every working conditions. Built-in electronic controls enhance productivity and durability.



Hydraulic Power Steering
The newly designed steering system ensures smooth steering even in the low engine speed ranges.
- Steering control valve

Comfort

From the beginning, Doosan has had great concern for machine operators. People need to work in a well-designed and comfortable environment. The work area is spacious, with several places for storage. The checking and monitoring devices are comprehensive. There is an open view of the work area. For night work, operators are provided with powerful front and rear lighting.

DL300



Air Conditioning & Defroster System

Double filtered air cab, air ducts are properly placed all around the cab with proportional sensitive controls and air re-circulation facility. we offer the same comfort as a passenger car.



3" Safety belt
- Retractable seat belt

Air-Suspension Seat

Now available Air-suspension seats provide more comfort and support for the operator.(Opt.)



Switch

The ergonomically laid out switch panel in line with the natural movements of the body allows for very convenient operation. The spare switch cut-outs allows easy installation of additional electric accessories.



Various Control Lever

The joystick installed in compliance with various needs and preferences of operators ensures more convenient work.



Wrist rest

The tilting and telescopic wrist rest allows the operator to work more comfortably.

Noise Level

- LwAg Surface sound power level : 103dB(A)
(Guaranteed sound power level)
(ISO 6395-2000/14/EC)
- LpA Operator's Cabin noise level : 71dB(A)
(ISO 6396)



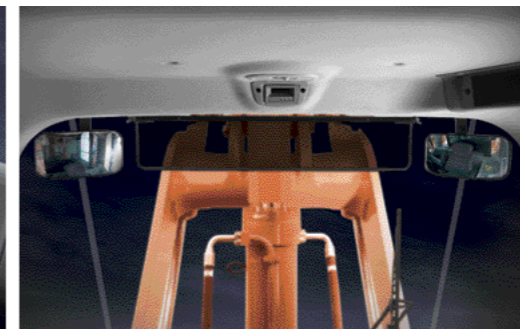
The steering Column

The steering column features both tilting and telescopic functions.



Central Monitor Panel

The compact central monitor panel is ergonomically designed and allows the operator to monitor the status and warning lights at a single glance.



Sunvisor & Room mirror(Std.)

Maintenance

A liquid crystal display conveys information to the operator relative to the ZF transmission. At the same time, it reports the nature of a problem (of one exists). When servicing the loader, a specialised apparatus can be used to adjust the clutch disks to compensate for their wear. Additionally, by connecting a lap top computer, a complete transmission diagnostic can be performed.

DL 300



Transmission & Engine Diagonosis

The transmission can be diagnosed using a laptop computer to interface with the diagnostic system.



Remote Engine oil & Coolant Drain

Remote drain valves have been installed in an easily accessible location for convenient draining of fluids. (Coolant - upper, Engine oil - lower)



Central Remote Hydraulic Check Port

The centralized remote hydraulic check ports allow main, steering, brake charge, pilot, load-sensing signal and transmission clutch pressures to be checked at a convenient central location.



Propeller Shaft

A protective cover has been installed to protect the oil seal from dust, foreign objects and premature wear.



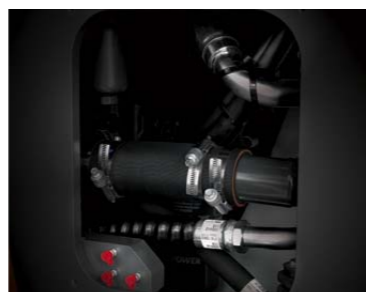
Transmission Filter

The transmission filters are within easy reach and like the rest of the machine's service components, can be checked from ground level.



Air-Cleaner Filter

The high capacity air cleaner eliminates harmful particles from the air and extends the life of the engine and replacement intervals.



Brake & Pilot Filter

The pilot filter is easy to replace and a clogged filter warning system has been added for extra protection.



Large Capacity Transmission Oil Cooler

The large capacity transmission oil cooler ensures durable and stable operation of transmission.



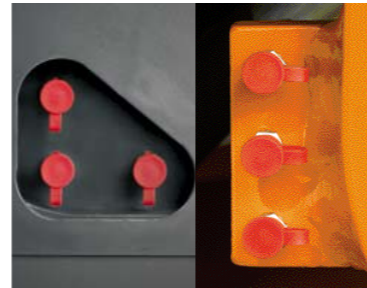
Hydraulically operated reverse fan

With electronic control of the variable speed on-demand fan, temperature levels of the engine coolant, transmission oil are constantly monitored. Controlled fan speed improves fuel efficiency, lowers noise levels and reduces radiator plugging. The hydraulic fan can be switched to reverse operation from the cabin for quickly clean out the cooling system.



Convenient Transmission Oil Filling

Because the transmission oil level gauge is attached to the oil filler pipe, it is easy to visually check the level while filling. In addition, the oil filler pipe is located near the articulation joint for easy access.

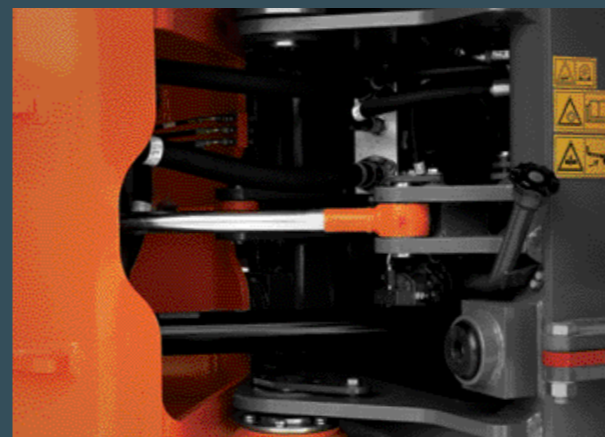


Greasing Lubrication Ports

The front pins can be lubricated from the outside of the machine without crawling under the machine or in awkward positions through the lubrication ports.

Sight Gauges

Well-located, yet easily visible sight gauges for the hydraulic oil and radiator coolant allow easy daily checks while reducing the risk of contaminants entering the systems.



A good accessibility at the articulation joint is essential for an easy maintenance.



Reinforced Bucket

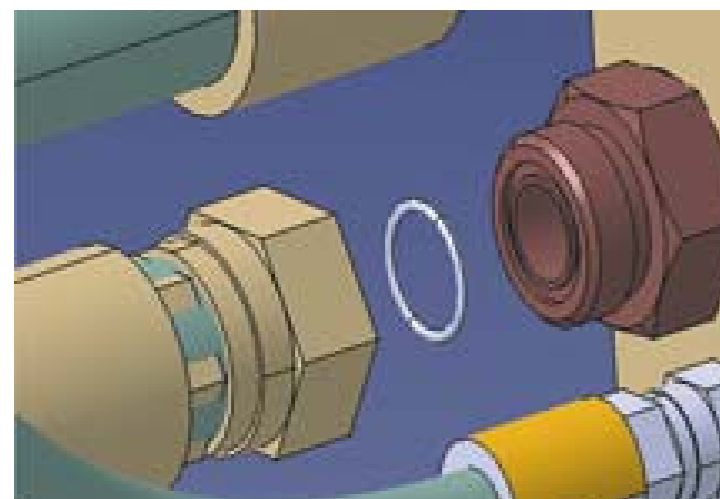
The lower and side panels of the bucket have been reinforced with additional plates (Std).

- Reinforcement : At both sides - 1 point each
- At lower panel - 2 point

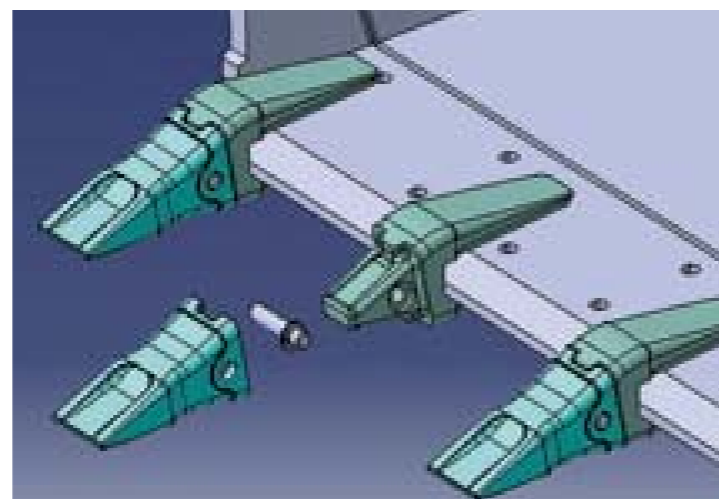
Reliability

Every morning, when the operators commence work, they know that things will go smoothly- because Doosan has taken care of it. The product is solid. Operators know that they have significant reserves at hand and that they won't have to push the machine to its limit. The Doosan Daewoo DL300 wheel loader is designed and built to last. For Doosan, 'reliable' means availability, accessibility and simplicity.

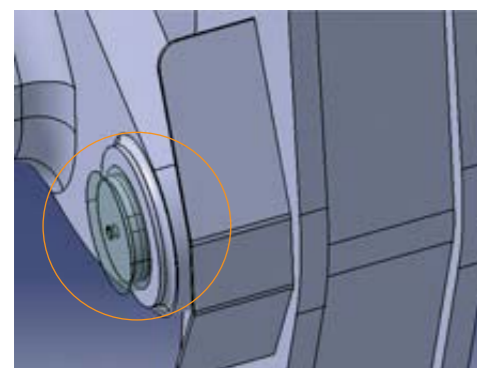
DL 300



ORFS-All Ports(Even in Pilot line and Low pressure line)



2-piece type tooth(Pin-on+Bolt-on adapter)

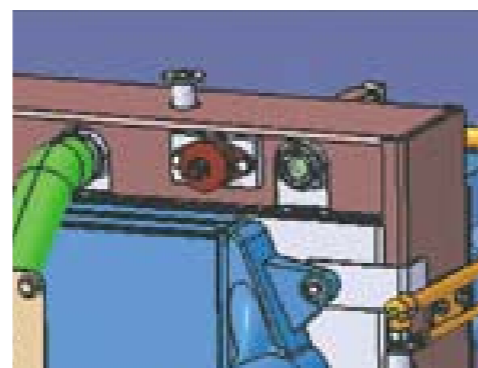


Covering(On pin-end) Pin & Bush Improved

- Increase Diameter
- Bronzed Bush
- Chrome-plated Pin



Radiator Grill (Still structure)



Rubber-mounting (for Radiator: Lateral 2EA / Vertical 2EA)



Fender-Edge



Hydraulic Oil Return Filter

The high-efficiency, large-capacity return filter manufactured with the glass-fiber media can eliminate foreign substances up to 99.5 percent to protect the costly hydraulic equipment and substantially extend the replacement cycle.

Standard & Optional Equipment

DL Standard equipment

Engine

- Three stage air cleaner with cyclone pre-cleaner, inner filter, And external plugging indicator as at the dashboard
- Water separator with fuel filter
- Crankcase Ventilation oiltrap system
- Preheating of induction air
- Two fuel filters
- Hydraulically driven fan with bi-direction flow for core cleaning
- External drains for engine oil and coolant
- Mode selector switch for the engine power (Standard / Economy mode)
- Self-diagnosis function

Lifting and Hydraulic system

- Robust Z bar lifting system
- Standard general purposes 3.0m³ bucket
- Single lever joystick
- Hydraulic control valve with two sections
- Automatic boom kick out
- Automatic bucket return to dig.
- Fast couplers for hydraulic check
- Fixed tandem vane pump system

Steering system

- Load sensing steering system

External equipments

- Mudguard
- Lower protection plates
- Lifting hooks
- Articulation lock in the transport position
- Towing hitch
- Wheel chocks
- Tools compartment

Electric System

- Alternator 60A / 24 V
- Working lights: 2 at the front and 4 at the rear (6 x 70W)
- Driving lights: low and high beams
- Tail indicators, stop, reversing lights
- Reversing alarm

Drive line and Brake system

- Gear box which can be declutched when braking
- Gear box with diagnosis and monitoring indicator, and electronic plug for a fast adjustment
- Mode selector switch for the transmission (Manual / Auto 1<->4 / Auto 2<->4)
- Starting safety system
- Kickdown and travelling direction selection: lever at left of the steering wheel or on the joystick
- Limited slip differential on front and rear axles
- Dual brake circuits with accumulator
- Tire 23.5 - 25 - 16PR (L3)
- Dual service brake pedals
- Secondary brake system
- Parking brake on the transmission, electric-hydraulic

Cab

- Air-conditioning / heating with recirculation function
- Double Filtered air cab
- Mechanical suspension seat with safety belt(2")
- Adjustable steering column
- Compartment for cans
- Floor mat
- Tinted glasses
- Left sliding window
- Front and rear wiper
- Front and rear washers
- Sun visor
- Interior cab light
- Interior rear view mirrors (2)
- Exterior rear view mirrors (2)
- Machine monitoring (condition, control & maintenance indicators in front of the driver by dials, gauges and lamps)
- Main switches in front of the driver (Starter & hazard switches)
- Switches for the general functions in the right console
- Electrical horn
- Cigarette lighter
- Cassette radio AM / FM
- 12 Volt socket
- Cup holder
- Compartment for Shoes
- Glass antenna
- Heatwire in side mirror
- ROPS Cabin(Rollover Protective Structure): ROPS Meets The Following Criteria - SAE 1040 , ISO 3471
- FOPS Cabin(Falling Objects Protective Structure): FOPS Meets The Following Criteria - SAE J 231, ISO 3449
- Digital clock
- Coat hook

DL Optional equipment

Some of these optional equipments may be standard in some markets.

Some of these optional equipments cannot be available on some markets. You must check with the local Doosan dealer to know about the availability or to release the adaptation following the needs of the application.

Ground engaging tools

- Various types of buckets, fork pallette, timber grapples and accessories

Tires

- L3, L4, L5 following various types of manufacturers

Hydraulic

- Hydraulic control valve with 3 sections
- FNR mono lever with 3rd function lever for third section
- Two hydraulic levers for 2 sections with FNR function
- Three hydraulic levers for 3 sections with FNR function
- Load isolation system (LIS)
- Emergency steering pump driven by electric motor
- Hydraulically driven fan with adjustable speed proportional to fluid temperature and bi-direction flow for core cleaning

Electric system

- Rotating beacon
- Additional lighting

Cab

- Rear Camera (CCTV) and monitor
- MP3 / CD player
- Air suspension seat with 3" belt

Various

- Full covering mudguard
- Tool Kit
- Mudguard

External equipments

- Full fender with rubber protector
- Wheel chocks



Engine

General description

The high performance Doosan DL08 combined a 6 cylinder in-line, common-rail fuel injection system with electronically controlled direct injection and turbo charged air to air intercooler offers low fuel consumption and emission.

-GROSS SAE J1995

Rated Power :

162 kW @ 2,000rpm
217 HP @ 2,000rpm
220 ps @ 2,000rpm

Max. Power :

227 HP @ 1,700 rpm

Max Torque :

105 kgf.m @ 1,300rpm
1,029 Nm @ 1,300rpm

Displacement :

7,640cc (466cu.in)

Bore x stroke :

φ108x139mm(4.3" x 5.5")mm

Dry replaceable cylinder liner

3 stages Air cleaner including a very efficient pre-cleaner, main and safety elements.

Hydraulically driven puller type fan with possibility of adjustment.

Battery :

System voltage : 24V
Quantity : 12Vx2
Capacity(AMP) : 150Ah

Starter power :

6.6kW

Alternator output :

60A



Axles

The front and rear axles with planetary hub reductions are built on the base of very reputed components.

Fitted as standard, the front and rear limited slip differentials, ensure the traction is optimal in all circumstances.

Maker and model :

ZF MT-L3000 Series

LSD Differential

45%

Oscillation angle :

+/- 12°

Brake :

Dual circuit multi-plate wet discs. Hydraulic actuation with pump and accumulator.

The sintered metal brake discs extended discs service intervals : increased three times

A spring applied and hydraulically released parking brake is mounted on the transmission shaft.



Transmission

"Full Power Shift" transmission. It can be used in manual or automatic modes.

This transmission is based on components having excellent worldwide reputations. It is equipped with a modulation system allowing soft gear shifting and inversion of travel direction. Safety devices also protect the transmission of bad operations.

The gear and direction shifting is operated by a single lever to the left of the steering wheel. A travel direction control is also mounted on the hydraulic joystick. (Opt.)

With a special electronic device, the transmission can be tested and adjusted easily for optimum performance and efficiently.

The transmission can be de-clutched by the operation of brake pedal to increase the power available to the hydraulic pumps.

A safety device prevents the starting of the engine when not in neutral.

Torque converter :

Type : Single stage, one phase, three elements

Stall ratio : 2.845

Gear box :

Maker and model
ZF 4 WG 210

Speed Forward/Rearward :

(Tire 23.5 - 25 - 16PR - L3)

1	6.2 / 6.4 km/h (3.9 / 4.0 mph)
2	11.6 / 12.2 km/h (7.2 / 7.6 mph)
3	22.5 / 23.8 km/h (13.7 / 14.2 mph)
4	34.5 km/h (21.4 mph)



Hydraulic System

The hydraulic system uses tandem vane pumps with automatic wear compensation.

Pilot actuation with standard single lever.

Automatic boom kick out and bucket return to dig. is standard.

All of hydraulic lines are equipped with special seals (ORFS)

Max flow main:

(With steering)
130ℓ / min (34.3g / min)

(Without steering)
280ℓ / min (74g / min)

Working Pressure:

200 bars

Pressure of the pilot circuit:

30 bars

Filtration capacity on the return line:

10 microns

Loading cycles time:

Lifting speed (loaded) :
5.9 seconds
Dumping speed (loaded) :
1.9 seconds
Lowering speed (empty) :
3.7 seconds



Operators' Cab

The modular cab allows excellent visibility in all directions. The optimal ventilation is obtained by numerous ventilation outlets. Touch buttons control the air re-circulation air conditioning and heating systems. The air of the cab is filtered.

All necessary information for the operator are centralized in front of him.

The main functions are actuated via switches located on a console at the right of the operator.

Generous storage places are well located. The cab, mounted on viscous element and equipped with an air suspended seat, offers a better comfort for the operator.

Access door:

1

Emergency exits:

2

The cab conforms ROPS ISO 3471 and FOPS : ISO 3449

Guaranteed external noise level Lwa:

(following 2000 / 14 / EC) 103 dB (A)



Steering

The steering system is a load sensing type with a flow amplifier and a priority valve.

Steering angle :

40°

Oil flow :

130ℓ /min(34.3g / min)@2000 rpm, rated

Working pressure :

190 bars

Steering cylinders (2) :

bore x stroke : 80 x 450 mm (3.2" x 1' 6")

Emergency steering system with hydraulic pump driven by electric motor. (Opt.)



Lifting System

The lifting system with two cylinders and Z configuration is designed for the toughest jobs. The breakout force (18 ton with a 3.0m³ bucket) is very important and the bucket movements are fast.

The bucket angles are well kept in good positions on all the range of bucket movement.

Lifting cylinders (2)

bore x stroke : 150 x 831 mm (5.9" x 2'9")

Bucket cylinders (1)

bore x stroke : 190 x 495 mm (7.9" x 1'8")



Maintenance

Maintenance is easy due to excellent access.

The radiator fan swivels to aid cleaning.

The transmission is electronically controlled. An error coding system allows easy diagnosis of the systems and proper intervention.

Engine (oil) : 35ℓ (5.6 gal)

Radiator (cooling liquid) : 50ℓ (13.2 gal)

Fuel : 330ℓ (87.2 gal)

Hydraulic oil : 210ℓ (55.5 gal)

Gear box and torque converter : 48ℓ (12.7 gal)

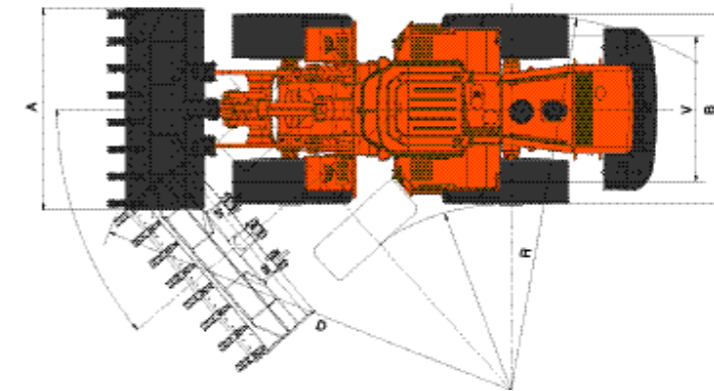
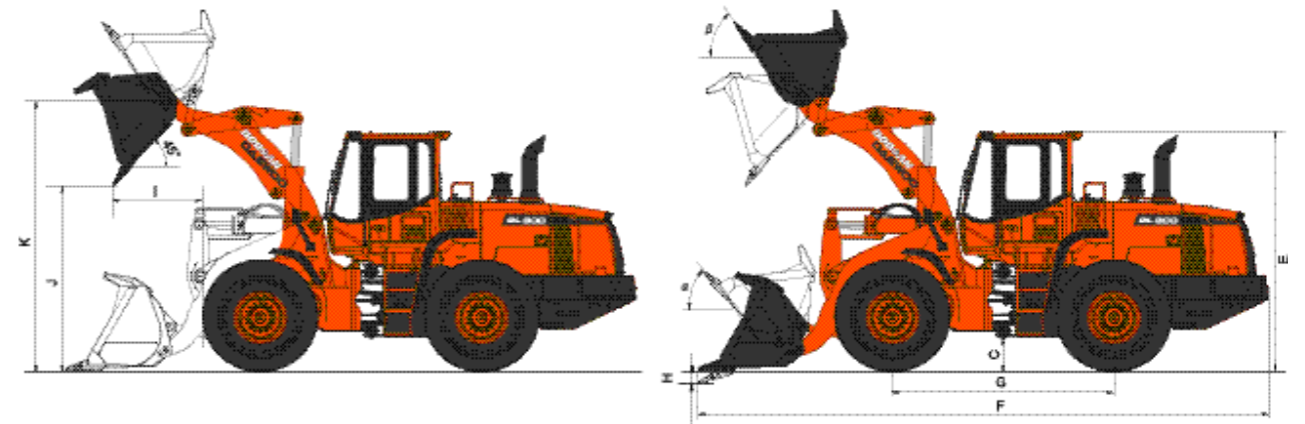
Front axle : 38ℓ (10.0 gal)

Rear axle: 30ℓ (7.0 gal)

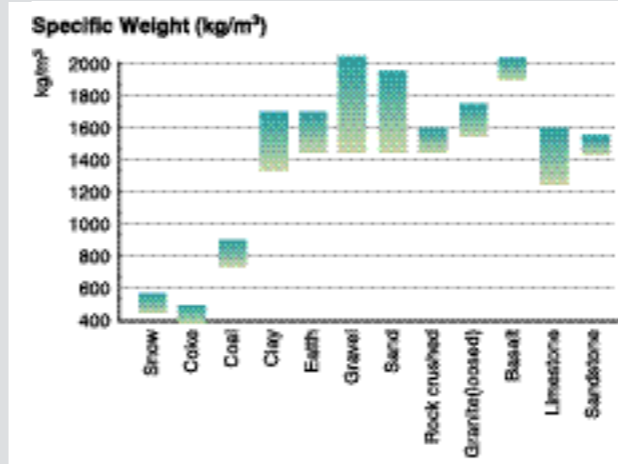
Bucket type		General purpose						Light material	
Configuration	Unit	Teeth	Teeth (std.)	Teeth	Bolt-on edge	Bolt-on edge	Teeth & segments	Teeth	Bolt-on edge
Capacity heaped ISO/SAE	m ³	2.7	3.0	3.0	2.9	3.2	3.2	3.3	3.5
	yd ³	3.5	3.9	3.9	3.8	4.2	4.2	4.3	4.6
Tooth type		Adapter tooth	Adapter tooth	Integrated tooth			Adapter tooth	Adapter tooth	
Bucket width	mm	2,730	2,920	2,920	2,730	2,920	2,920	2,920	2,920
	ft in	8'11"	9'7"	9'7"	8'11"	9'7"	9'7"	9'7"	9'7"
Breakout force	kN	162	162	162	162	162	162	162	162
	lbf	36,419	36,419	36,419	36,419	36,419	36,419	36,419	36,419
Static tipping load (straight)	kg	14,300	14,500	14,500	14,400	14,600	14,600	14,500	14,600
	lb	31,526	31,967	31,967	31,747	32,187	32,187	31,967	32,187
Static tipping load (40°)	kg	11,900	12,100	12,100	12,000	12,180	12,180	12,100	12,180
	lb	26,235	26,676	26,676	26,455	26,852	26,852	26,676	26,852
Dump height (at 45°) ¹⁾	mm	2,760	2,780	2,782	2,880	2,890	2,780	2,750	2,880
	ft in	9'1"	9'1"	9'2"	9'5"	9'6"	9'1"	9'	9'5"
Dump reach (at 45°) ¹⁾	mm	1,307	1,285	1,280	1,183	1,171	1,285	1,320	1,183
	ft in	4'3"	4'3"	4'2"	3'11"	3'10"	4'3"	4'4"	3'11"
Digging depth	mm	76	76	76	76	76	76	76	76
	ft in	3"	3"	3"	3"	3"	3"	3"	3"
Height at bucket pivot point	mm	4,000	4,000	4,000	4,000	4,000	4,000	4,000	4,000
	ft in	13'1"	13'1"	13'1"	13'1"	13'1"	13'1"	13'1"	13'1"
Max. angle at carry position	α °	46	46	46	46	46	46	46	46
Max. angle at fully raised	β °	58	58	58	58	58	58	58	58
External radius at tire side	mm	5,800	5,800	5,800	5,800	5,800	5,800	5,800	5,800
	ft in	19'	19'	19'	19'	19'	19'	19'	19'
External radius at bucket edge	mm	6,300	6,360	6,320	6,290	6,380	6,360	6,360	6,380
	ft in	20'8"	20'10"	20'9"	20'8"	20'11"	20'10"	20'10"	20'11"
Wheel basis	mm	3,200	3,200	3,200	3,200	3,200	3,200	3,200	3,200
	ft in	10'6"	10'6"	10'6"	10'6"	10'6"	10'6"	10'6"	10'6"
Width at tyres	mm	2,760	2,760	2,760	2,760	2,760	2,760	2,760	2,760
	ft in	9'1"	9'1"	9'1"	9'1"	9'1"	9'1"	9'1"	9'1"
Tread	mm	2,150	2,150	2,150	2,150	2,150	2,150	2,150	2,150
	ft in	7'1"	7'1"	7'1"	7'1"	7'1"	7'1"	7'1"	7'1"
Ground clearance	mm	470	470	470	470	470	470	470	470
	ft in	1'7"	1'7"	1'7"	1'7"	1'7"	1'7"	1'7"	1'7"
Overall length	mm	8,160	8,150	8,110	8,110	8,045	8,150	8,150	8,055
	ft in	26'9"	26'9"	26'7"	26'5"	26'5"	26'5"	26'5"	26'5"
Overall height	mm	3,438	3,438	3,438	3,438	3,438	3,438	3,438	3,438
	ft in	11'3"	11'3"	11'3"	11'3"	11'3"	11'3"	11'3"	11'3"
Operating weight	kg	17,120	17,300	17,300	17,260	17,460	17,450	17,360	17,520
	lb	37,743	38,140	38,140	38,052	38,493	38,471	38,272	38,625

1) Measured to the tip of the bucket teeth or bolt-on edge.
2) All measurements with tyres 23.5-25-16PR(L3).

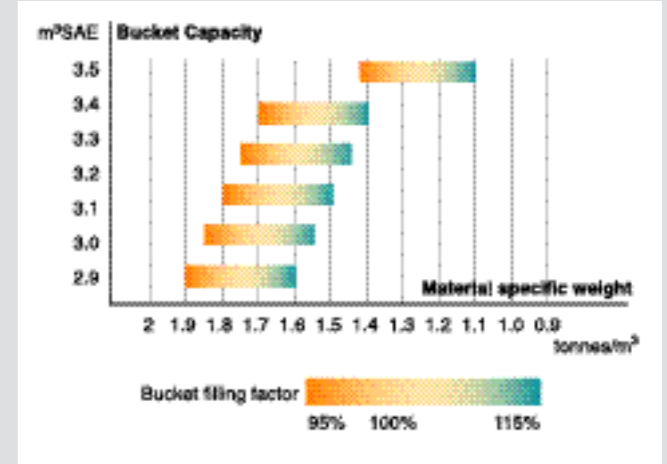
DL Dimensions



Measured to the tip of the bucket teeth or bolt on edge with tires 23.5-25-16PR(L3)



The specific weight of material largely depends on moisture rate, compacting value, percentage of various components etc... This chart is given only for information.



The Bucket filling factor depends also of the nature of material, the working conditions and the operator ability.