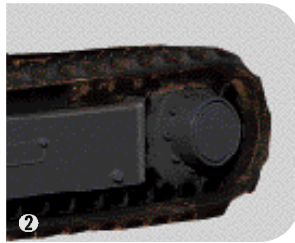


# SOLAR 010



- **Operating Weight:** 770kg (1,697lb)
- **STD Bucket Capacity:** PCSA 0.026m<sup>3</sup> (0.03cu .yd)  
CECE 0.02m<sup>3</sup> (0.026cu .yd)
- **Rated Engine Power:** 9.5/2,550 ps /rpm  
7/2,550 kW /rpm

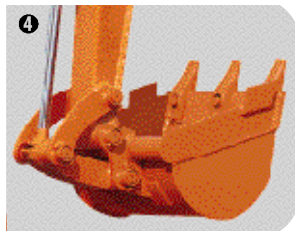


#### ① Boom Swing

The boom swing mechanism is especially useful for digging jobs at small sites.

#### ② Rubber Crawlers

Durable rubber crawlers with a unique lug pattern ensure excellent traction and lower vibration.



#### ③ Comfortable Operation

The operator seat is designed to firmly and comfortably support the operator.

#### ④ Bucket

Hardened bucket claws provide outstanding durability and they can be easily unbolted for removal, straightening or replacing.

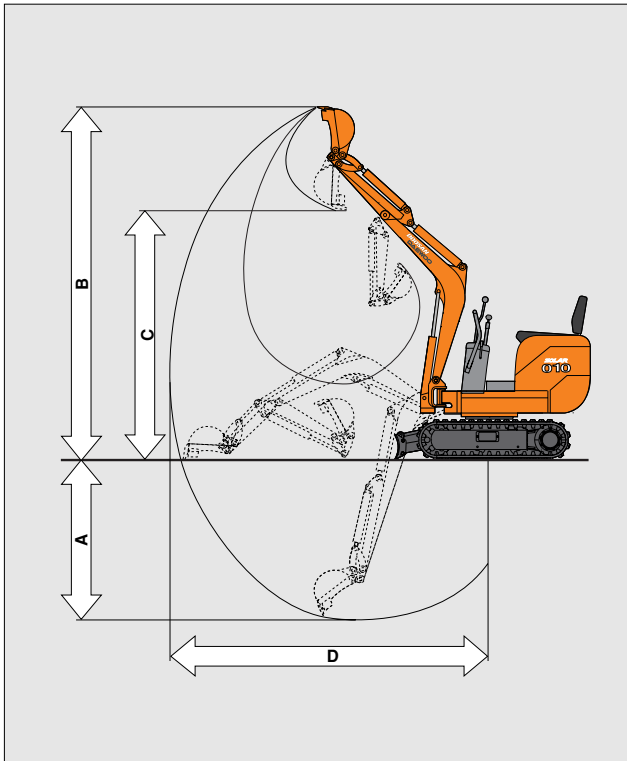


**Infracore**

# SOLAR 010

## Working Ranges

mm(ft.in)



## Specifications

MODEL	UNIT	SOLAR 010
Operating weight (Rubber shoe model)	kg (lb)	770 (1,697)

### Bucket

Capacity	PCSA	m <sup>3</sup> (cu.yd)	0.026 (0.03)
	CECE		
Width (with cutter/without cutter)	mm (ft.in)	390 / 355 (1'3"/1'2")	

### Dimension

Length x Width x Height	mm (ft.in)	2,800x810(1,100)x1,520 (9'2"x2'8"(3'7")x4'12")
-------------------------	------------	---

### Engine

Model		YANMAR 2 TNE 68-DB
Displacement (Total dis. volume)	cc (gallon)	523 (0.14)
Rated power/R. P. M.	ps/rpm (kW/rpm)	9.5/2,550 (7/2,550)
Combustion chamber type		Swirl Type

### Working Range

(A) Max. digging depth	mm (ft.in)	1,550 (5'1")
(B) Max. cutting height	mm (ft.in)	2,825 (9'4")
(C) Max. dumping height	mm (ft.in)	2,010 (6'8")
(D) Max. digging radius	mm (ft.in)	2,800 (9'2")
Rear-and swing radius	mm (ft.in)	800 (2'7")
Boom swing angle (L/R)	degree	90/ 90

### Performance

Max. digging force	Bucket	kgf (lb)	826 (1,821)
	Arm	kgf (lb)	720 (1,587)
Traveling speed		km/h (m/h)	1.9 (1.18)
Swing speed		rpm	9.1

### Hydraulics

Pump	Type		Gear Pump
Max. flow rate		l/min(gallon)	2 x10 (2.6)
Main relief set pressure		kg/cm <sup>2</sup> (psi)	150 (2,135)

### Track

Blade (Length x Height)	mm (ft.in)	810(1,100) x195 (28"(37") x8")
Shoe width	mm (ft.in)	180 (7")
Tumbler distance	mm (ft.in)	906 (2'12")

### Control

Lever control type		Link Type (lever)
Lever pattern		ISO

### Tank

Fuel tank	l(gallon)	8 (2.1)
Hydraulic tank	l(gallon)	9 (2.4)

\*Specifications are subject to change without prior notice for the improvement.

Distributed By:

Nationwide Equipment Company

11950 New Kings Road

Jacksonville, Florida USA 32219

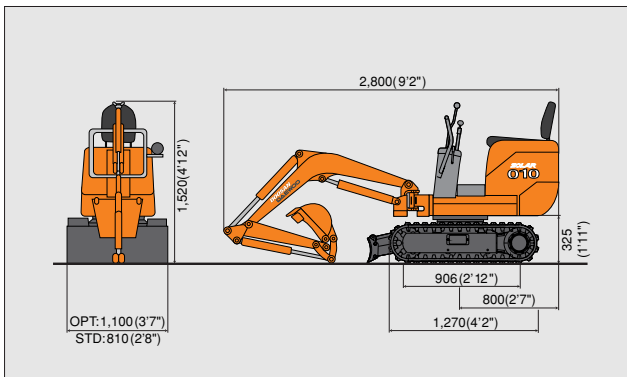
Ph: (904) 924-2500 Email: sales@nwe-usa.com

www.NationwideEquipment.com

EL0001 (2005.7)

## Dimension (standard)

mm(ft.in)



\*Specifications are subject to change without prior notice.

### Seoul Office

Doosan Tower 26TH FL. 18-12, Euljiro-6Ga,  
Jung-Gu, Seoul, Korea 100-730  
Tel : +82-2-3398-8114 Fax : +82-2-3398-8117  
Website : www.doosaninfracore.com

### Doosan Infracore Europe S.A.

1A, Rue Achille Degrace, 7080 Frameries, Belgium  
Tel : +32-65-61-3231 Fax : +32-65-61-3238

### Doosan Infracore U.K., Ltd.

Doosan House, Unit 6.3, Nantgarw Park,  
Cardiff CF47QU, U.K.  
Tel : +44-1443-84-2273 Fax : +44-1443-84-1933

### Doosan Infracore Germany GmbH.

Hans-Böckler strasse 29, D-40764, Langenfeld-Fuhrkamp,  
Germany  
Tel : +49-2173-8509-20 Fax : +49-2173-8509-60

### Doosan Infracore France

#### (Doosan Infracore Europe S.A. France Office)

2Eme Etage, 1/3 Avenue Pavlov, Z.A.I. Des Bruyeres,  
78190 Trappes France  
Tel : +33-1-3016-2140 Fax : +33-1-3016-2144

### Doosan Infracore America Corporation

2905 Shawnee Industrial Way, Suwanee, Georgia 30024, U. S. A  
Tel : +1-770-831-2200 Fax : +1-770-831-0480



### Doosan Infracore (China) Co., Ltd.

#28, Wuzhishan Road, Eco & Tech, Development Zone, Yantai, Shandong, China  
Tel : +86-535-638-2000 Fax : +86-535-638-2004

### Doosan Infracore Xinjiang Machinery Co., Ltd.

No. 178, Hetanbei Road, Wulumuqi, Xinjiang, China  
Tel : +86-991-469-7217 Fax : +86-991-469-8641

### Doosan Infracore Liaoning Machinery Co., Ltd.

No.32 DongLing Road, DongLing District, ShenYang, Liaoning, China  
Tel : +86-24-8841-1407 Fax : +86-24-8841-1404

### Doosan Infracore South Africa Pty Ltd.

60C Electron Road, Isando 1600, Johannesburg, South Africa  
Tel : +27-11-974-2095 Fax : +27-11-974-2778