

DOOSAN DAEWOO HYDRAULIC EXCAVATOR

SOLAR 225 LCV SLR

DOOSAN DAEWOO NEW CRAWLER TYPE

- Operating Weight : 23,600 kg (52,023 lb)
- Bucket Capacity(PCSA) : 0.39 m³ (0.51 cu · yd)
- Engine Power
 - DIN 6271, net 110 kw (150 PS)/1,950 rpm
 - SAE J1349, net 110 kw (148 HP)/1,950 rpm



Technical Data

Engine

Model	DOOSAN DB58TIS
Displacement (Total dis. volume)	5,785cc (1.5 gallon)
Rated flywheel horse power	
DIN 6271, net	110KW (150PS)
	at 1,950 rpm
SAE J1349, net	110KW (148HP)
	at 1,950 rpm

Hydraulic system

e-EPOS (Electronic Power Optimizing System) allows the operator to maximize work efficiency over a full range of operating conditions and to minimize fuel consumption.

- Hydraulic system assures fully independent and combined operations.
- Automatic 2 speed travel system for high traction force and travel speed.
- Cross-sensing and fuel saving pump system.
- Auto idle system.
- 2-Working / 2-power mode selection system.
- Computer aided engine-pump control.

Pumps type variable displacement axial piston

Max. flow rate 2 × 215 ℓ / min (2 × 56.8 gallon)

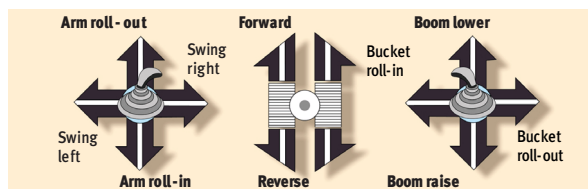
Main relief set pressure

Boom/Arm/ Bucket	Normal : 330kgf/cm ² (4,690 psi)
	Power Boost : 350 kgf/cm ² (4,980 psi)
Travel circuit	330 kgf/cm ² (4,690 psi)

Controls. 2 implement levers

Lever control type Hydraulic pilot

Lever pattern ISO



Undercarriage

Tractor type undercarriage. Heavy-duty track frame, all welded stress-relieved structure. Top grade materials are used for toughness. Side frames are welded, securely and rigidly, to the track frame. Lifetime-lubricated track rollers, idlers and sprockets with floating seals. Track shoes of induction-hardened rolled alloy with triple grousers. Specially heart-treated connecting pins. Track adjusters with shock-absorbing recoil springs.

Shoe width 600mm (2')

Tumbler distance 3,645mm (13'2")

Weight

Equipped with 8.5m(27'9") boom, 6.2m(20'3") arm, and 0.39m³(0.51yd³; PCSA heaped) bucket.

Shoe type	Shoe width	Operating weight	Ground pressure
Triple grouser	600mm (2')	23,600 kg (52,000 lb)	0.50kgf/cm ² (49kpa, 7.1psi)
	700mm (2'4")	23,900 kg (52,700 lb)	0.43kgf/cm ² (43kpa, 6.2psi)
	800mm (2'7")	24,200 kg (53,400 lb)	0.38kgf/cm ² (38kpa, 5.5psi)
	900mm (2'11")	24,500 kg (54,000 lb)	0.35kgf/cm ² (34kpa, 4.9psi)

Service refill capacities

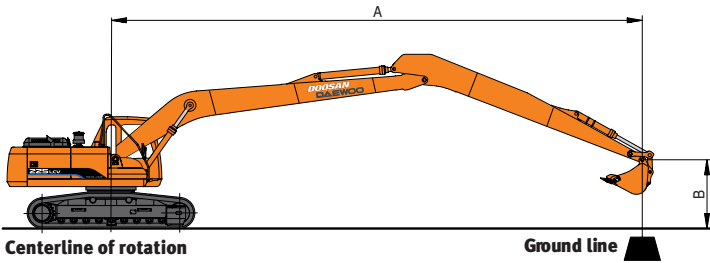
	Liters	US gal	Imp gal
Fuel tank	350	92.5	77
Cooling system	42	11.1	9.2
Lubrication			
Engine oil	19.0	4.8	4.0
Swing drive	5.0	1.3	1.1
Final drive(each)	5.4	1.44	1.2
Hydraulic system	240	63.4	52.8
Hydraulic tank	140	37	30.8

Buckets

Capacity		Width		Weight	Recommendation
PCSA, heaped	CECE, heaped	Without side cutters	With side cutters		8.5m (27'9") Boom
					6.2m (20'3") Arm
0.39m ³ (0.51cu.yd)	0.35m ³ (0.46cu.yd)	766mm (2'6")	861mm (2'10")	374kg (825 lb)	-

Lifting Capacities

Standard



Boom : 8.5m (27'9")
 Arm : 6.2m (20'3")
 Bucket: PCSA 0.39m³ (CECE 0.34m³)
 Shoe : 600mm (2')

Metric

Unit : 1,000 kg

A (m)	2		3		4		5		6		7		8		9		10		11		12		12		14		Max. Reach							
	□	□□	□	□□	□	□□	□	□□	□	□□	□	□□	□	□□	□	□□	□	□□	□	□□	□	□□	□	□□	□	□□	□	□□						
11																				*0.82	*0.82							*0.80	*0.80	11.02				
10																				*1.41	*1.41							*0.79	*0.79	11.78				
9																				*1.77	*1.77	*1.19	*1.19					*0.79	*0.79	12.42				
8																				*1.90	*1.90	*1.60	*1.60					*0.79	*0.79	12.95				
7																				*1.96	*1.96	*1.91	*1.91	*1.22	*1.22			*0.80	*0.80	13.39				
6																	*2.08	*2.08	*2.04	*2.04	*2.01	1.97	*1.57	*1.57			*0.82	*0.82	13.74					
5																	*2.22	*2.22	*2.15	*2.15	*2.09	1.93	*1.86	1.64	*0.85	*0.85	*0.85	*0.85	14.00					
4																*2.53	*2.53	*2.38	*2.38	*2.27	2.21	*2.18	1.88	*2.10	1.61	*1.14	*1.14	*0.88	*0.88	14.19				
3																*3.37	*3.37	*3.02	*3.02	*2.76	*2.76	*2.56	2.53	*2.40	2.15	*2.28	1.84	*2.18	1.57	*1.35	*1.35	*0.92	*0.92	14.31
2			*4.57	*4.57	*7.27	*7.27	*5.51	*5.51	*4.47	*4.47	*3.81	*3.81	*3.34	*3.34	*3.00	2.89	*2.74	2.44	*2.54	2.08	*2.38	1.78	*2.25	1.54	*1.48	1.33	*0.96	*0.96	14.36					
1			*2.86	*2.86	*6.49	*6.49	*6.31	*6.31	*5.04	5.01	*4.21	4.03	*3.64	3.32	*3.23	2.78	*2.92	2.36	*2.67	2.02	*2.48	1.73	*2.32	1.50	*1.54	1.30	*1.02	*1.02	14.33					
0	*1.55	*1.55	*2.73	*2.73	*5.01	*5.01	*6.92	6.13	*5.50	4.77	*4.57	3.85	*3.91	3.18	*3.44	2.68	*3.08	2.28	*2.80	1.96	*2.57	1.69	*2.39	1.47	*1.49	1.28	*1.08	*1.08	14.24					
-1	*2.12	*2.12	*3.02	*3.02	*4.73	*4.73	*7.33	5.91	*5.85	4.59	*4.85	3.71	*4.14	3.07	*3.62	2.59	*3.22	2.21	*2.91	1.90	*2.65	1.65	2.41	1.44	*1.30	1.26	*1.16	*1.16	14.07					
-2	*2.70	*2.70	*3.48	*3.48	*4.92	*4.92	*7.47	5.77	*6.09	4.46	*5.06	3.60	*4.31	2.98	*3.76	2.52	*3.33	2.15	*2.99	1.86	2.70	1.62	2.39	1.41			*1.26	*1.26	13.83					
-3	*3.29	*3.29	*4.03	*4.03	*5.33	*5.33	*7.58	5.69	*6.21	4.38	*5.18	3.53	*4.42	2.92	*3.85	2.47	*3.40	2.11	3.04	1.83	2.67	1.59	2.37	1.40			*1.38	1.32	13.51					
-4	*3.91	*3.91	*4.65	*4.65	*5.90	*5.90	*7.61	5.66	*6.22	4.34	*5.22	3.48	*4.47	2.88	*3.89	2.43	*3.43	2.08	3.02	1.81	2.66	1.58	*1.78	1.40			*1.52	1.38	13.11					
-5	*4.55	*4.55	*5.33	*5.33	*6.60	*6.60	*7.45	5.66	*6.14	4.33	*5.18	3.47	*4.45	2.86	*3.87	2.42	*3.40	2.07	3.01	1.80	*2.66	1.58					*1.72	1.47	12.61					

Feet

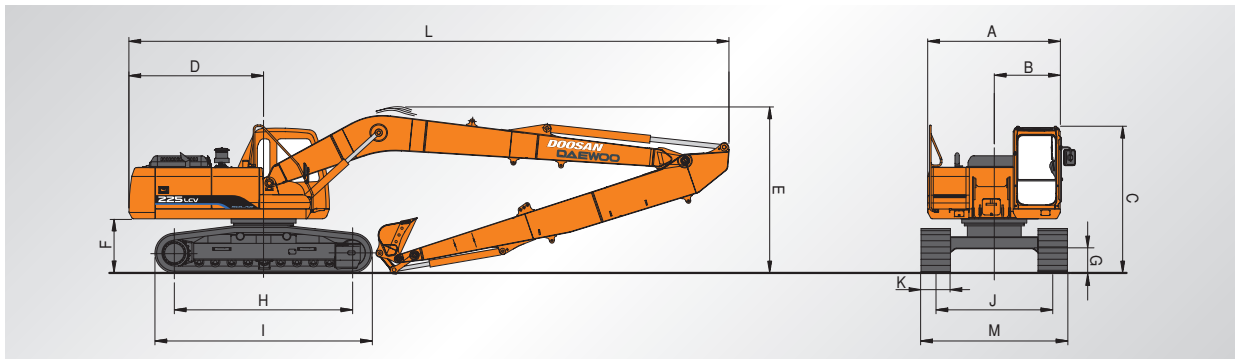
Unit : 1,000 lb

A (ft)	10'		15'		20'		25'		30'		35'		40'		45'		Max. Reach					
	□	□□	□	□□	□	□□	□	□□	□	□□	□	□□	□	□□	□	□□	□	□□	A (ft)			
35'												*2.86	*2.86					*1.76	*1.76	37' 03"		
30'														*2.08	*2.08			*1.74	*1.74	40' 48"		
25'												*4.23	*4.23	*3.55	*3.55			*1.76	*1.76	43' 08"		
20'												*4.51	*4.51	*4.41	4.21			*1.81	*1.81	44' 97"		
15												*5.26	*5.26	*4.91	*4.91	*4.65	4.09	*2.93	*2.93	*1.90	*1.90	46' 23"
10'								*6.89	*6.89	*5.99	*5.99	*5.39	5.00	*4.96	3.93	*3.68	3.11	*2.02	*2.02	46' 94"		
5'	*7.83	*7.83	*14.58	*14.58	*10.29	*10.29	*8.07	8.04	*6.75	6.10	*5.89	4.76	*5.29	3.77	*4.15	3.02	*2.18	*2.18	47' 09"			
0'	*6.19	*6.19	*15.84	15.31	*11.90	10.28	*9.12	7.53	*7.45	5.76	*6.36	4.53	*5.59	3.62	*4.24	2.93	*2.39	*2.39	46' 72"			
-5	*7.28	*7.28	*13.62	*13.62	*12.95	9.74	*9.90	7.14	*8.00	5.49	*6.73	4.35	*5.82	3.50	*3.67	2.86	*2.67	*2.67	45' 79"			
-10	*9.05	*9.05	*14.29	*14.29	*13.44	9.44	*10.34	6.89	*8.34	5.31	*6.95	4.22	5.75	3.42			*3.05	2.91	44' 27"			
-15	*11.19	*11.19	*16.20	14.27	*13.41	9.33	*10.42	6.78	*8.41	5.21	6.93	4.15	5.73	3.40			*3.59	3.15	42' 11"			
-20	*13.66	*13.66	*17.16	14.42	*12.86	9.36	*10.09	6.78	*8.14	5.21	*6.65	4.17					*4.42	3.56	39' 19"			
-25	*16.55	*16.55	*15.40	14.72	*11.74	9.53	*9.26	6.89	*7.40	5.31	*5.78	4.30					*5.67	4.25	35' 32"			
-30	*17.44	*17.44	*12.71	*12.71	*9.81	*9.81	*7.67	7.15	*5.78	5.57							*5.72	5.53	30' 14"			
-35					*6.48	*6.48												*5.39	*5.39	22' 75"		

- Note
- The load point is a hook located on the back of the bucket.
 - * * * Rated loads are based on hydraulic capacity.
 - Rated loads do not exceed 87% of hyd. capacity or 75% of tipping capacity.

□ : Rating over front
 □□ : Rating over side or 360 degree
 □ : Ground

Dimensions (8.5m(27'9") Boom, 6.2m(20'3") Arm, 600mm(2') Shoe)



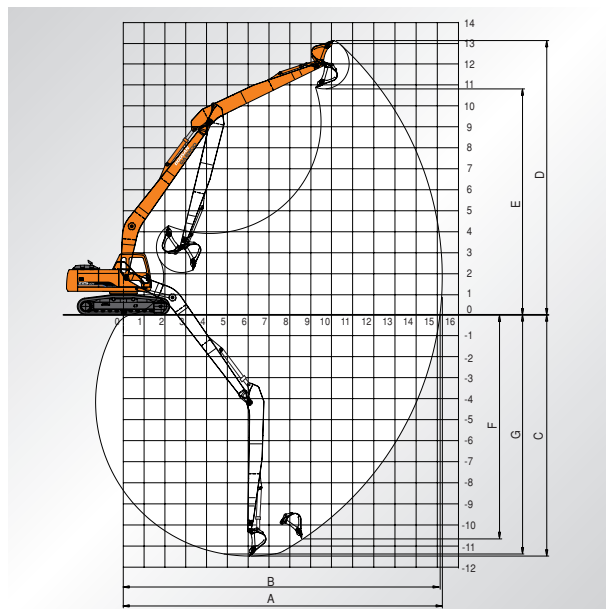
A Overall width of upper structure	2,710mm (8'11")
B Overall width of cab	1,350mm (4'5")
C Overall height of cab	3,000mm (9'10")
D Tail swing radius	2,750mm (9')
E Overall height	3,360mm (11')
F Clearance under counterweight	1,105mm (3'8")
G Ground clearance	480mm (1'7")
H Tumbler distance	3,645mm (12')
I Track length	4,440mm (14'7")
J Track gauge	2,390mm (7'10")
K Track shoe width	600mm (2')
L Overall length	12,260mm (40'3")
M Overall track width with 600 mm (2') shoe	2,990mm (9'10")

Digging forces (Maximum radial tooth forces)

	6.2m (20'3") Arm
Bucket digging force *	8,400 kgf 82 kN 18,500 lbf
Arm digging force *	5,800 kgf 57 kN 12,800 lbf

*At power boost

Working ranges



	8.5m (27'9")
Boom length	8.5m (27'9")
Arm length	6.2m (20'3")
A. Max. digging reach	15,390mm (50'6")
B. Max. digging reach at ground level	15,280mm (50'2")
C. Max. digging depth	11,650mm (38'3")
D. Max. digging height	13,250mm (43'6")
E. Max. dumping height	10,910mm (35'10")
F. Max. vertical wall digging depth	10,790mm (35'5")
G. Max. digging depth (8' level)	11,550mm (37'11")



Distributed By:

Nationwide Equipment Company

11950 New Kings Road

Jacksonville, Florida USA 32219

Ph: (904) 924-2500 Email: sales@nwe-usa.com

www.NationwideEquipment.com PBP S225C505 0507

*Specifications are subject to change without prior notice.

Seoul Office

Doosan Tower 26TH FL. 18-12, Euljiro-6Ga, Jung-Gu, Seoul, Korea 100-730

Tel: +82-2-3398-8114 Fax: +82-2-3398-8117

Website: www.doosaninfracore.com

Doosan Infracore Europe S.A.

1A, Rue Achille Degrace, 7080 Frameries, Belgium
Tel: +32-65-61-3231 Fax: +32-65-61-3238

Doosan Infracore U.K., Ltd.

Doosan House, Unit 6.3, Nantgarw Park, Cardiff CF47QU, U.K.

Tel: +44-1443-84-2273 Fax: +44-1443-84-1933

Doosan Infracore Germany GmbH.

Hans-Böckler strasse 29, D-40764, Langenfeld-Fuhrkamp, Germany

Tel: +49-2173-8509-20 Fax: +49-2173-8509-60

Doosan Infracore France

(Doosan Infracore Europe S.A. France Office)

2Eme Etage, 1/3 Avenue Pavlov, Z.A.I. Des Bruyeres, 78190 Trappes France

Tel: +33-1-3016-2140 Fax: +33-1-3016-2144

Doosan Infracore America Corporation

2905 Shawnee Industrial Way, Suwanee, Georgia 30024, U.S.A.

Tel: +1-770-831-2200 Fax: +1-770-831-0480

Doosan Infracore (China) Co., Ltd.

#28, Wuzhishan Road, Eco & Tech, Development Zone, Yantai, Shandong, China
Tel: +86-535-638-2000 Fax: +86-535-638-2004

Doosan Infracore Xinjiang Machinery Co., Ltd.

No. 178, Hetanbei Road, Wulumuqi, Xinjiang, China
Tel: +86-991-469-7217 Fax: +86-991-469-8641

Doosan Infracore Liaoning Machinery Co., Ltd.

No.32 DongLing Road, DongLing District, ShenYang, Liaoning, China
Tel: +86-24-8841-1407 Fax: +86-24-8841-1404

Doosan Infracore South Africa Pty Ltd.

60C Electron Road, Isando 1600, Johannesburg, South Africa

Tel: +27-11-974-2095 Fax: +27-11-974-2778